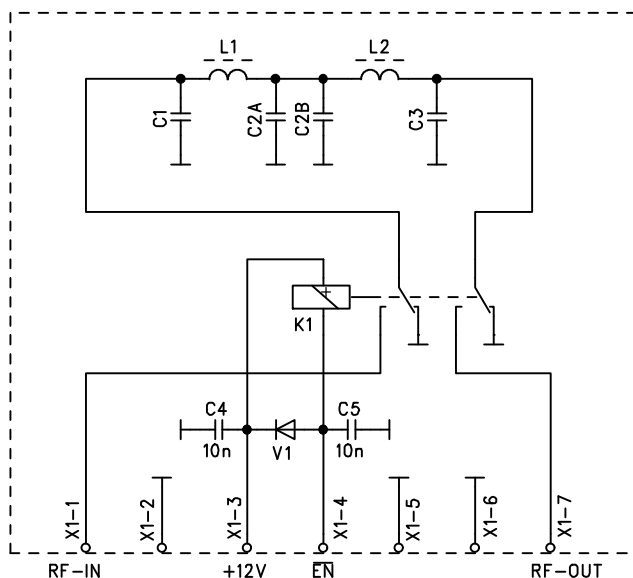


Ltr	Qty	Change	Reason / ECO no	Design	Date Review	Date Appr



(Amidon iron powder toroids)

2MHz: L=4.0uH, C=1.5nF (20 turns T-50-1 BLUE)
 4MHz: L=1u96H, C=680pF (20 turns T-50-2 RED)
 8MHz: L=0u96H, C=390pF (14 turns T-50-2 RED)
 15MHz: L=0.49uH, C=220pF (10 turns T-50-2 RED)
 30MHz: L=0.26uH, C=100pF (8 turns T-50-6 YELLOW)

NOTE: Max power 50W with Amidon T-50 cores
 Use bigger cores for higher power

Drawn 2004-10-09 OH7SV	Arch id	Serial no	Sheet	Cooperator's doc no		
Review	DIRECT CONVERSION HF TRANSCEIVER LOW PASS FILTER MODULE FOR PA CIRCUIT DIAGRAM			OH7SV		
Appr					Dwg no	Rev
Design OH7SV				Scale		
Replaces						
Replaced by						