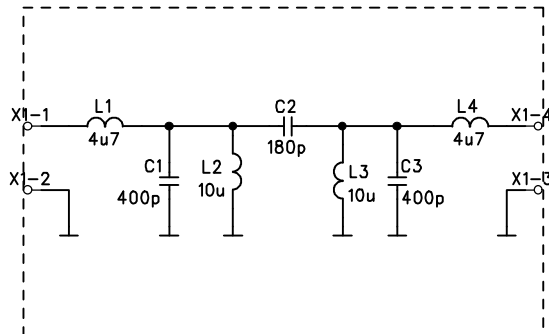


Ltr	Qty	Change	Reason / ECO no	Design	Date Review	Date Appr

PCB210346D



INDUCTORS: BOURNS CM45 SERIES

Drawn 2004-05-29 OH7SV	Arch id	Serial no	Sheet	Cooperator's doc no		
Review	DIRECT CONVERSION HF TRCVR BAND PASS FILTER 3.5MHz-4.0MHz CIRCUIT DIAGRAM			OH7SV		
Appr					Dwg no	Rev
Design OH7SV				Scale		
Replaces						
Replaced by						