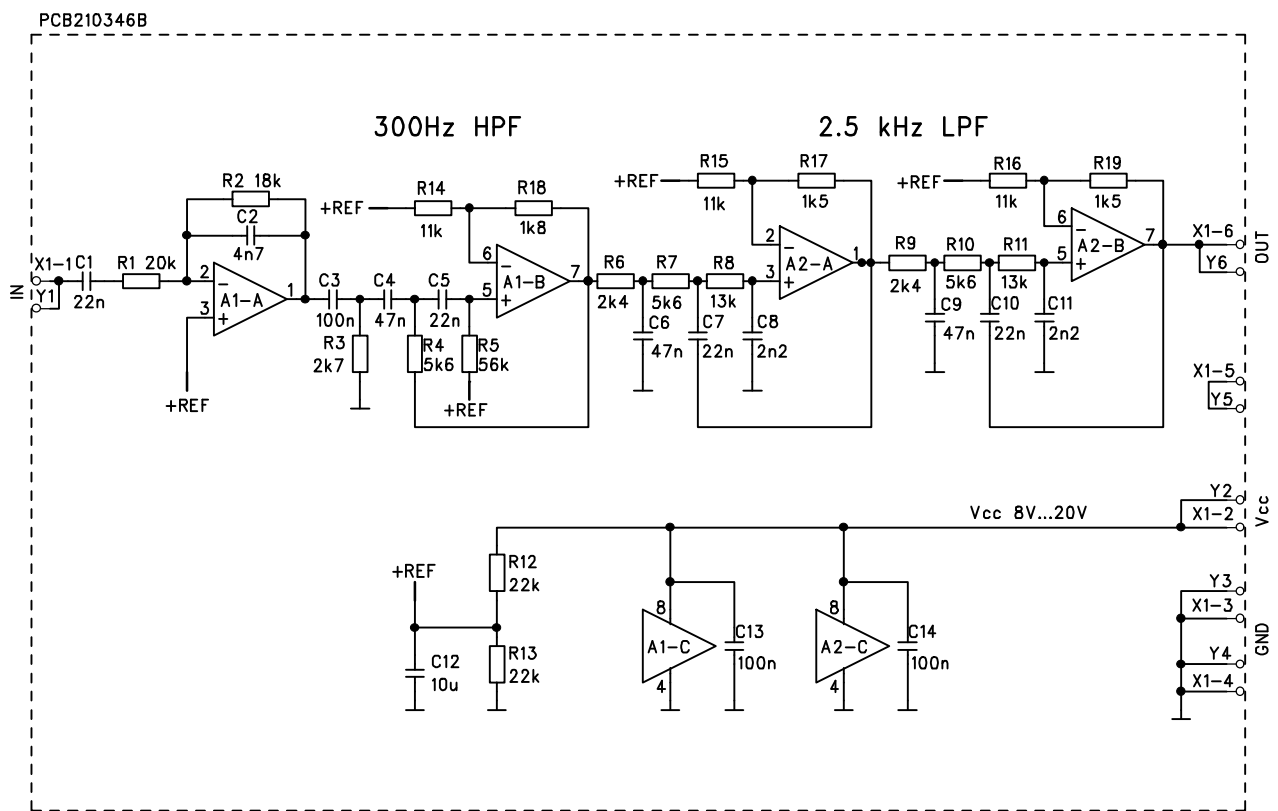


Ltr	Qty	Change	Reason / ECO no	Design	Date Review	Date Appr



NOTE1: OPAMPS RX LT1113, TX TLC272
 NOTE2: FILTER GAIN 0 dB
 NOTE3: INPUT MUST BE DRIVEN FROM LOW IMPEDANCE SOURCE

Drawn 2004-09-29 OH7SV	Arch id	Serial no	Sheet	Cooperator's doc no		
Review	DIRECT CONVERSION HF TRANSCEIVER BAND PASS FILTER 300Hz-2.5kHz CIRCUIT DIAGRAM			OH7SV		
Appr					Dwg no	Rev
Design OH7SV				Scale		
Replaces						
Replaced by						