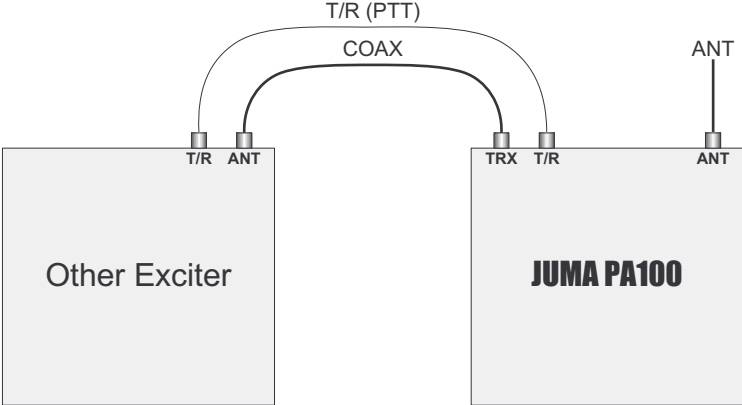
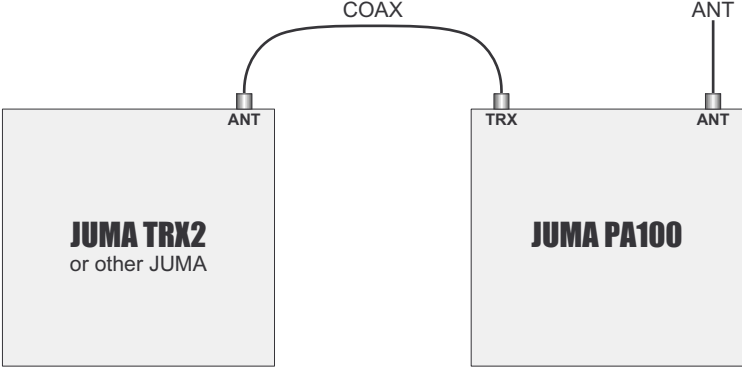


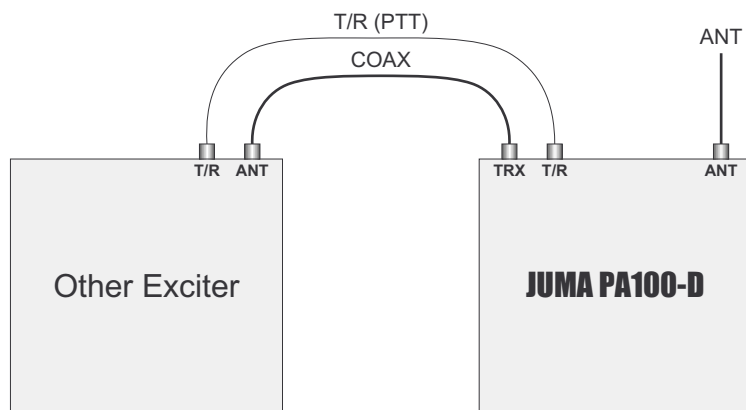
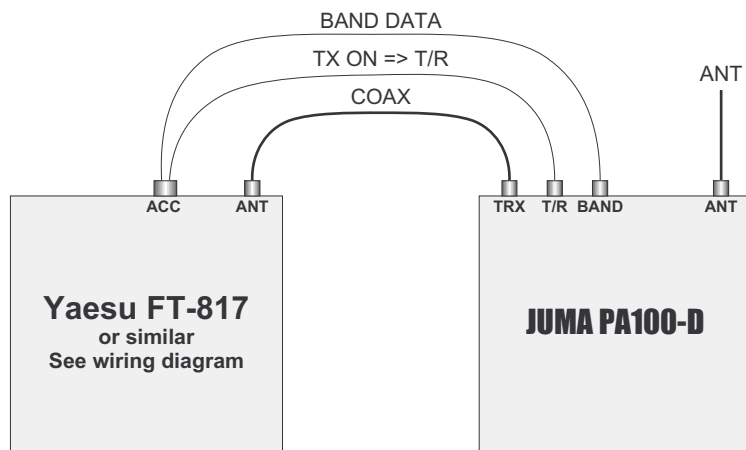
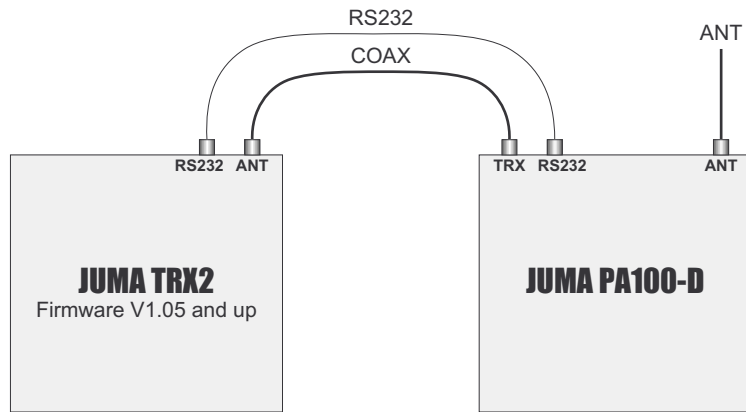
JUMA PA100 analog model connection to an exciter



(Power supply wiring not shown)

Last update 2008-11-30 OH7SV

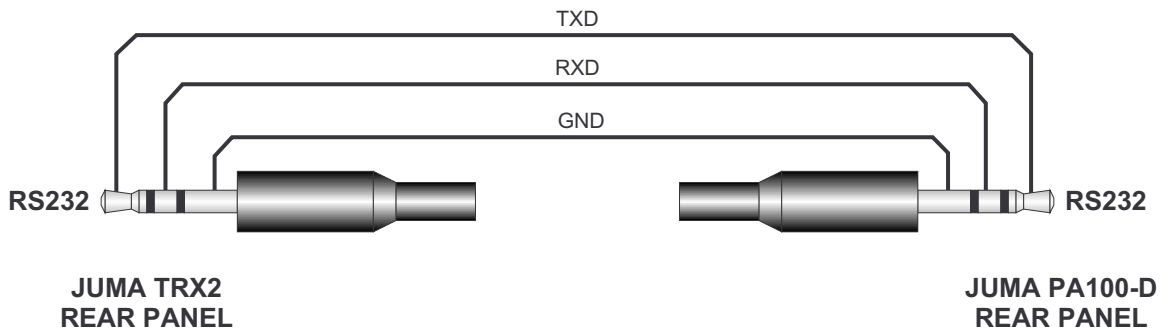
JUMA PA100-D digital model connection to an exciter



(Power supply wiring not shown)

Last update 2008-12-02 OH7SV

JUMA TRX2 to JUMA PA100-D wiring



YAESU FT-817 to JUMA PA100-D wiring

YAESU FT-817
ACC CONNECTOR
(solder side)

