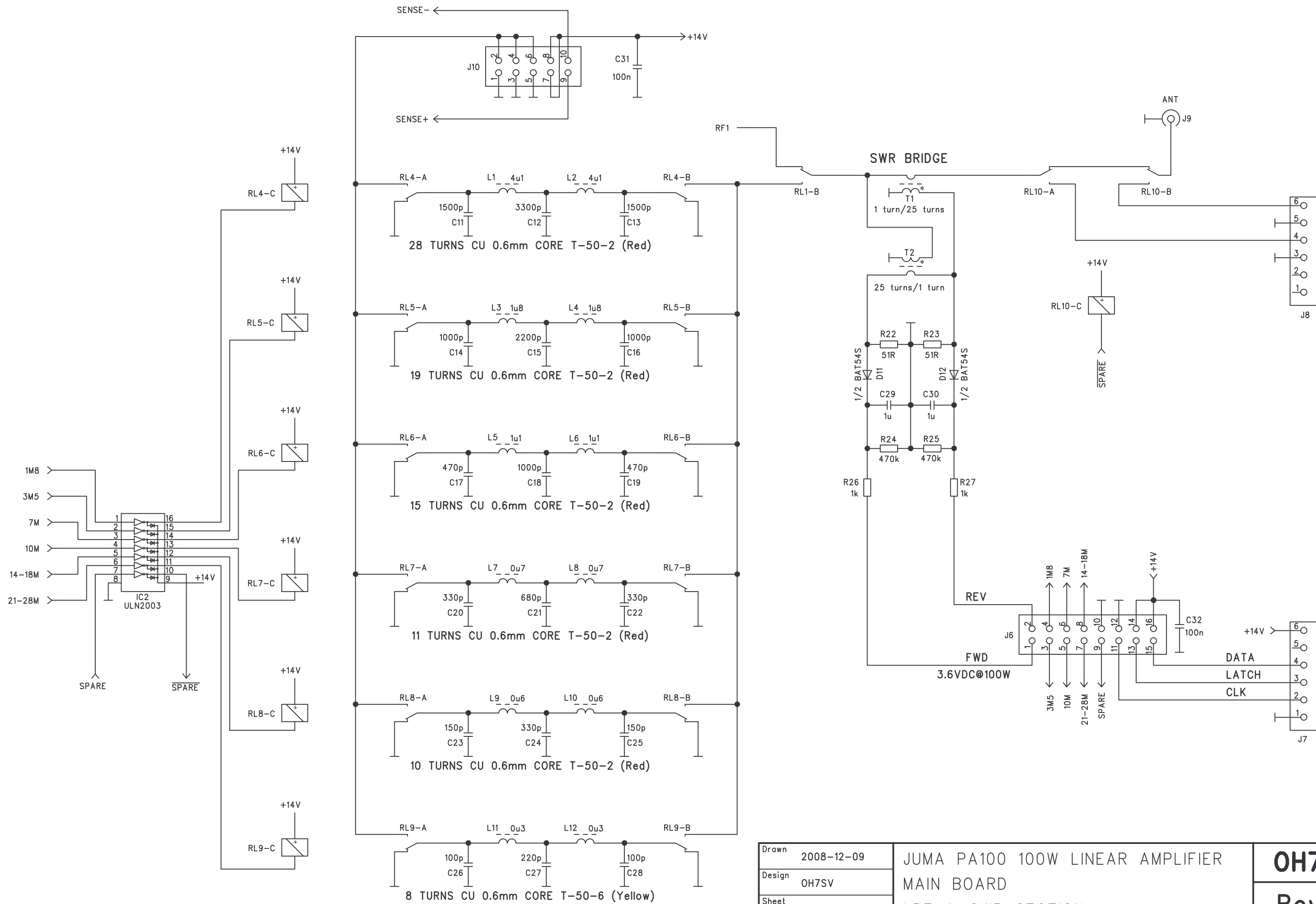


Drawn	2008-12-09	JUMA PA100 100W LINEAR AMPLIFIER	
Design	OH7SV	MAIN BOARD	
Sheet	1/2	T/R, ATTENUATOR, CURRENT SENSE	
		OH7SV	
		Rev	A

Copyright Matti Hoftola OH7SV 2008. This header must appear unaltered in all publications



Drawn	2008-12-09	JUMA PA100 100W LINEAR AMPLIFIER		OH7SV
Design	OH7SV	MAIN BOARD		
Sheet	2/2	LPF & SWR SECTION		Rev A

Copyright Matti Hoftola OH7SV 2008. This header must appear unaltered in all publications.