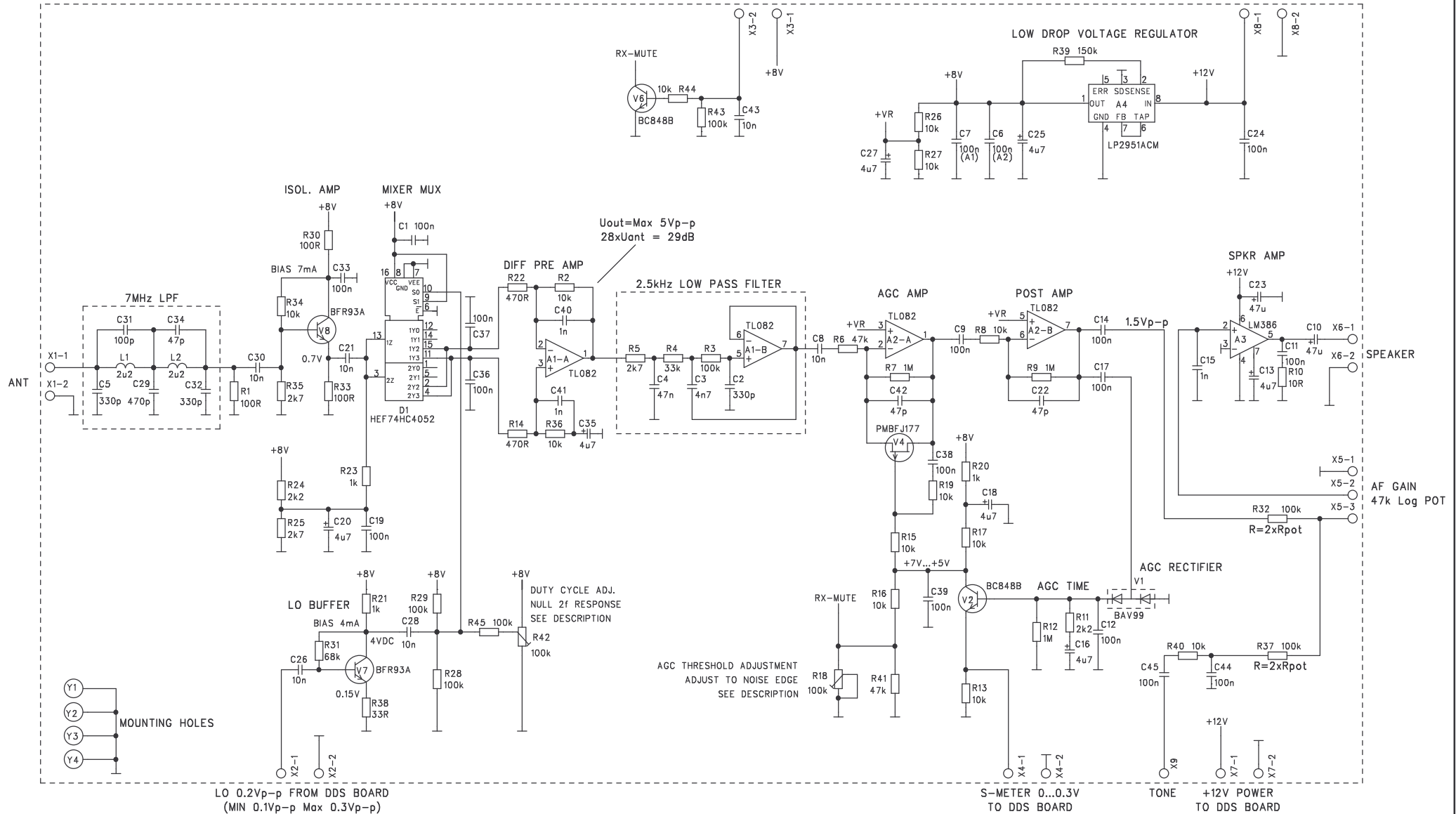


OPTIONAL RX MUTE
(+5V...+15V)

12VDC/34mA without DDS
(MIN+9V-MAX+15V)



LO 0.2Vp-p FROM DDS BOARD
(MIN 0.1Vp-p Max 0.3Vp-p)

S-METER 0...0.3V
TO DDS BOARD

TONE +12V POWER
TO DDS BOARD

Drawn 2005-04-08 OH7SV	Arch Id	Serial no	Sheet	Cooperator's doc no
Review				
Appr				
Design OH7SV	Scale	JUMA-RX1 HF RECEIVER		
Replaces		RX MAIN BOARD		
Replaced by		CIRCUIT DIAGRAM		
			OH7SV	
			Dwg no	Rev C