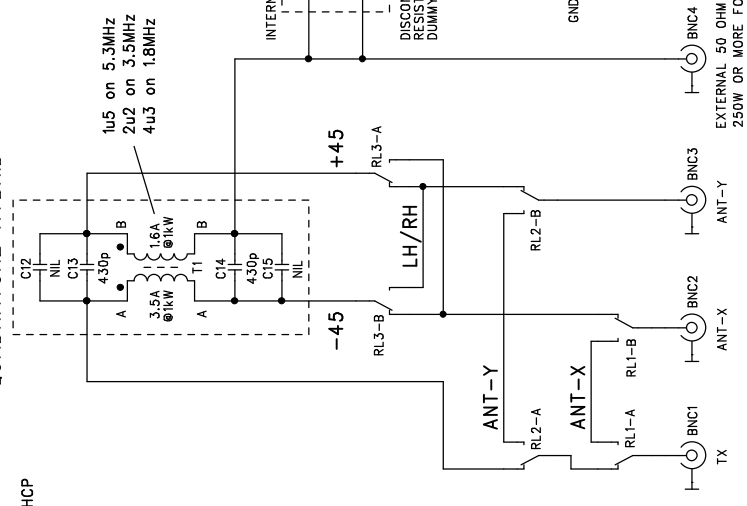


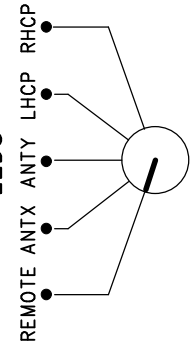
- 5.3MHz T1: T-106-6 (Yellow) 2x11 turns 1.0mm in parallel
 or T-106-2 (Red) 2x10 turns 1.0mm in parallel
 C13, C14: 300p/630V HIFRQ
 C12, C15: Not installed
- 3.7MHz T1: T-106-6 (Yellow) 2x13 turns 1.0mm in parallel
 C13, C14: 430p/630V HIFRQ
 C12, C15: Not installed
- 1.8MHz T1: T-130-2 (Red) 2x19 turns 1.0mm in parallel.
 C13, C14: 430p/630V HIFRQ
 C12, C15: 430p/630V HIFRQ

QUADRATURE HYBRID



- Note1.** Internal dummy load is for TX power below 200W
- Note2.** External dummy load is recommended for TX power over 200W
- Note3.** If ext dummy load is used, disconnect internal dummy load (R16, R17)

LEDS



ROTARY SWITCH

12V REMOTE CONTROL POLARIZATION SWAP

Remoterig I/O

OUT1	OUT0	ANT
OFF	OFF	X-ANT
OFF	ON	Y-ANT
ON	OFF	LHCP
ON	ON	RHCP