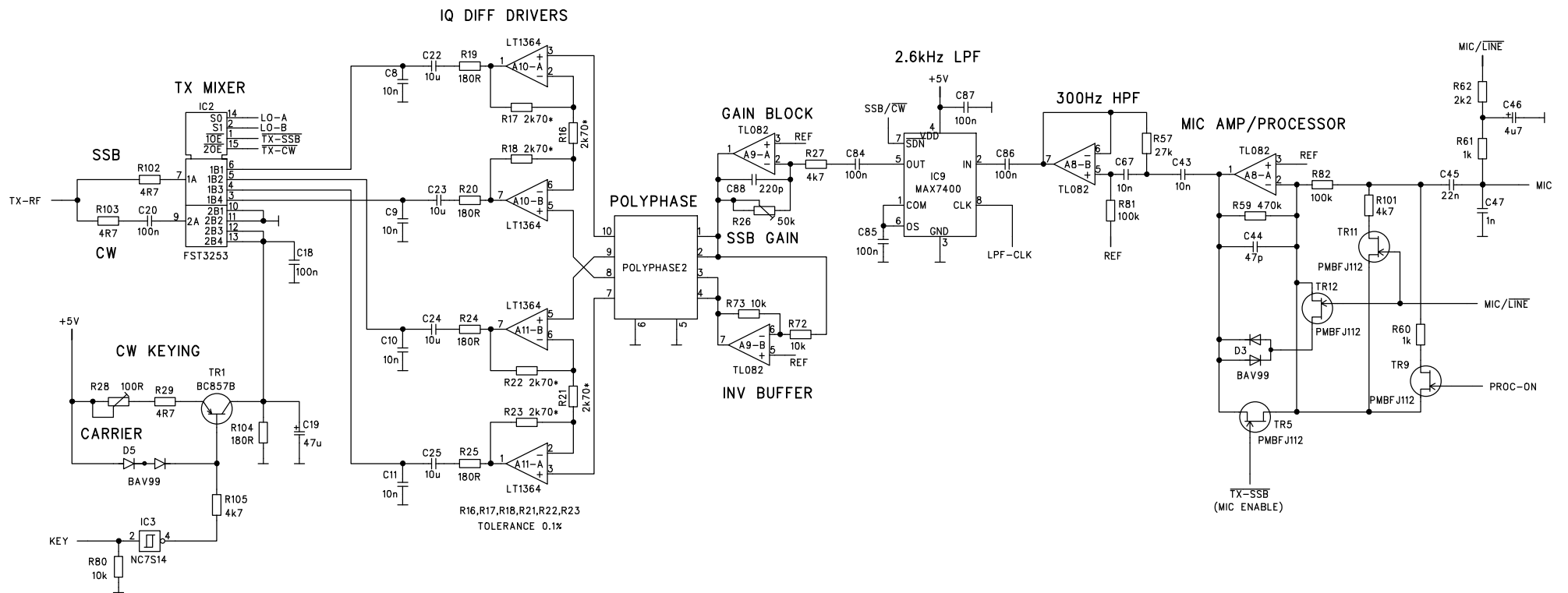


Drawn	2016-04-01	JUMA-TRX2 HF SSB/CW TRANSCEIVER MAIN BOARD RX SECTION	OH7SV	
Design	OH7SV			
Sheet	1/3		Rev	C

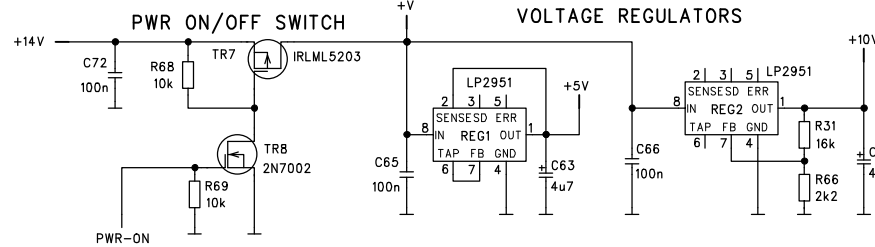
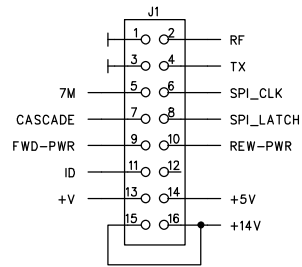
Copyright Matti Hohtola OH7SV. This header must appear unaltered in all publications.



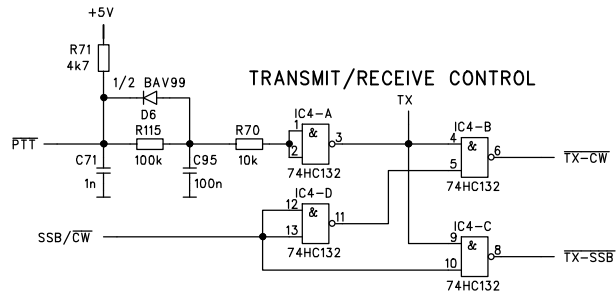
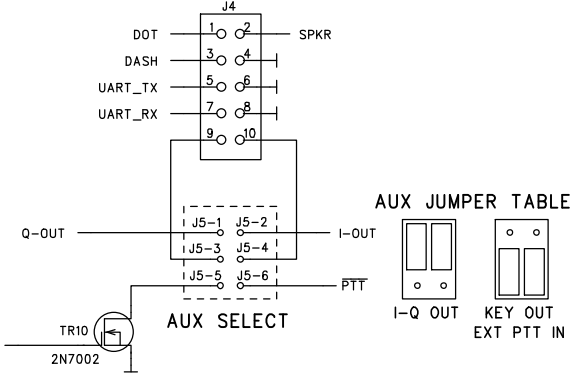
Drawn	2016-04-01	JUMA-TRX2 HF SSB/CW TRANSCEIVER		OH7SV	
Design	OH7SV	MAIN BOARD			
Sheet	2/3	TX SECTION		Rev	C

Copyright Matti Hohtola OH7SV. This header must appear unaltered in all publications.

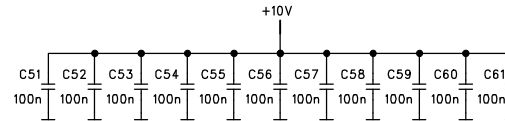
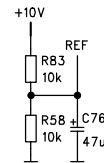
TO PA BOARD



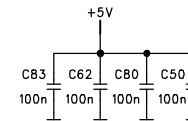
TO CONNECTOR BOARD



OPAMP REF

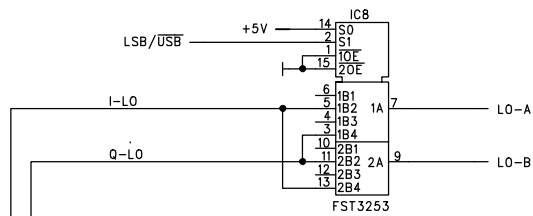


OPAMP BYPASS CAPACITORS
GND PIN4, VCC PIN8

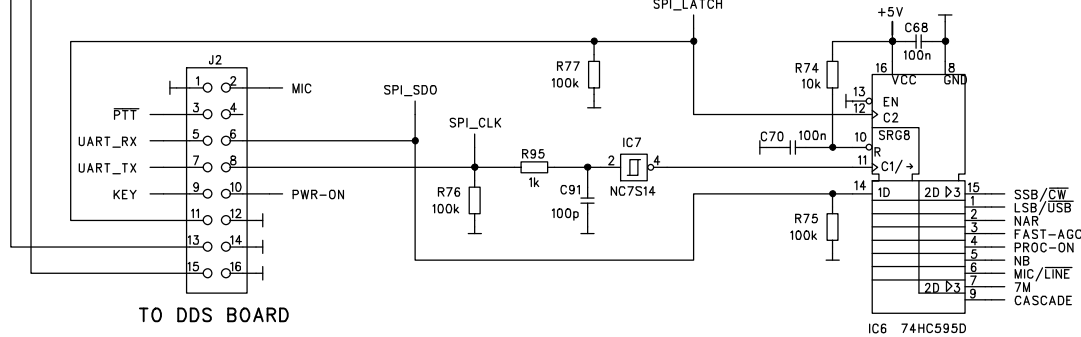


LOGIC IC BYPASS CAPACITORS
S014: GND PIN7, VCC PIN14
S016: GND PIN8, VCC PIN16
SOT23-5: GND PIN3, VCC PIN5

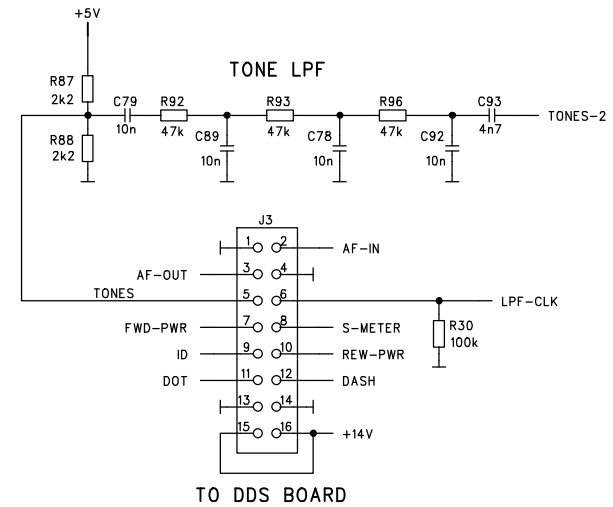
SIDEBAND SELECT



CONTROL SHIFT REGISTER

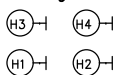


TO DDS BOARD

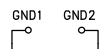


TO DDS BOARD

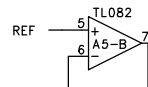
Mounting holes



GND TEST JUMPER



UNUSED COMPONENTS



Drawn	2016-04-01	JUMA-TRX2 HF SSB/CW TRANSCEIVER MAIN BOARD REGULATORS/CONTROL/CONNECTORS	OH7SV
Design	OH7SV		
Sheet	3/3	Rev	C