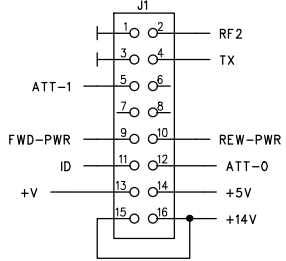
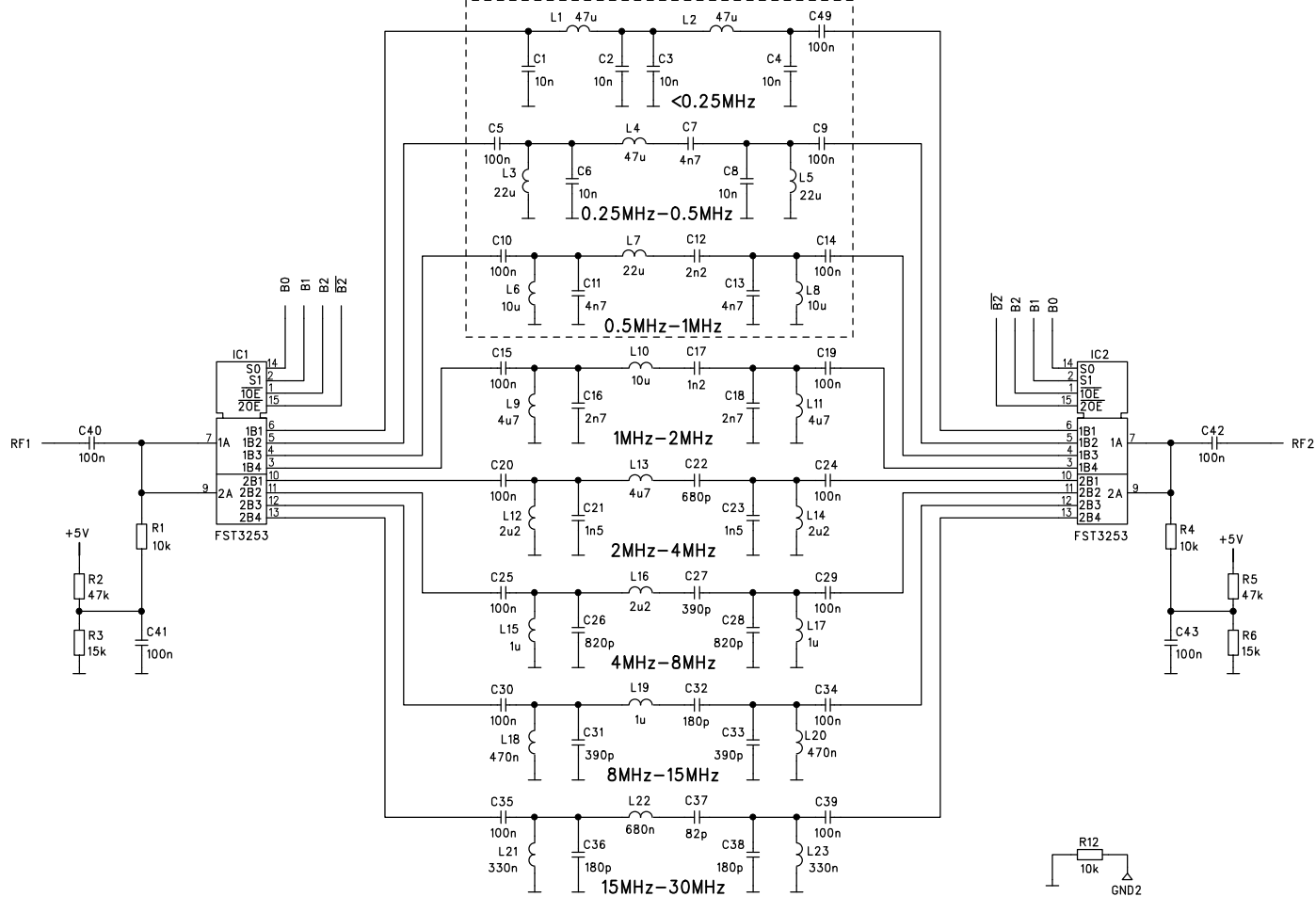


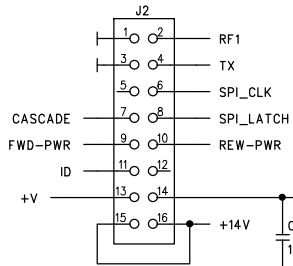
TO PA BOARD



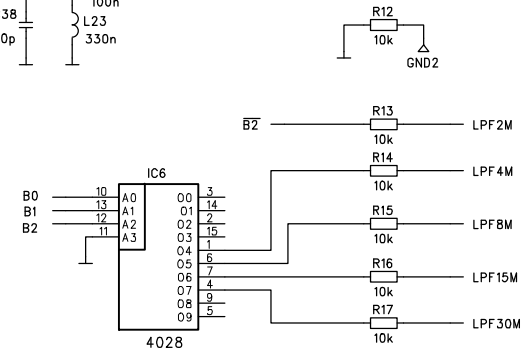
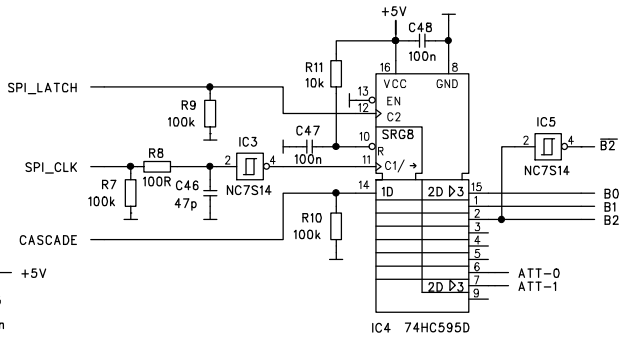
OPTIONAL BPF FILTERS BELOW 1MHz  
ON THE BOTTOM SIDE OF THE BOARD



BAND SELECTION CODE	
000	< 0.25MHz
001	0.25MHz...0.5MHz
010	0.5MHz...1MHz
011	1MHz...2MHz
100	2MHz...4MHz
101	4MHz...8MHz
110	8MHz...15MHz
111	15MHz...30MHz



TO MAIN BOARD



Drawn 2007-10-30

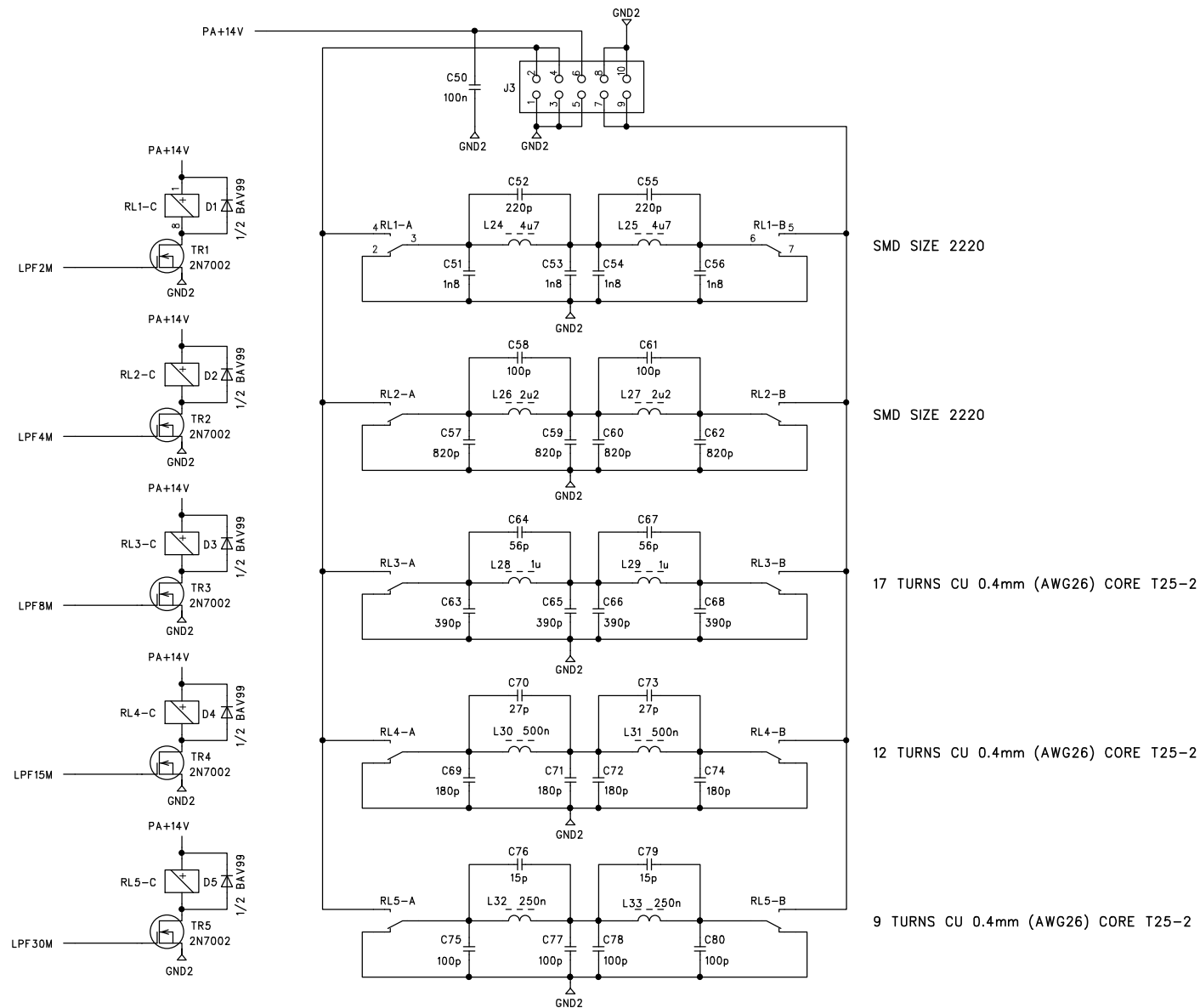
Design OH7SV

Sheet 1/2

JUMA-TRX2 HF SSB/CW TRANSCEIVER  
RF FILTER BOARD  
BPF SECTION

OH7SV

Rev A



NOTE: Capacitors C52, C55, C58, C61, C64, C67, C70, C73, C76 and C79 are not assembled. They are simulated nulling values for elliptical response.

Drawn 2007-10-30

Design OH7SV

Sheet 2/2

JUMA-TRX2 HF SSB/CW TRANSCEIVER  
 RF FILTER BOARD  
 LPF SECTION

OH7SV

Rev A